



BATHTUBS

PRICELIST



IDEAVIT is a Dutch company specialized in the production of bathroom fixtures in solid surface material.


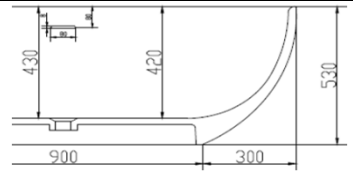

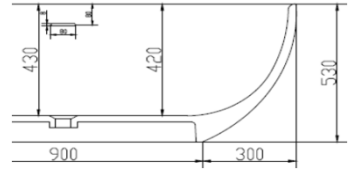

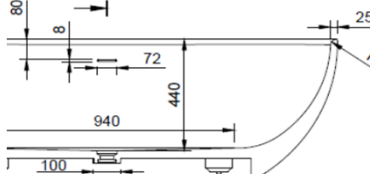

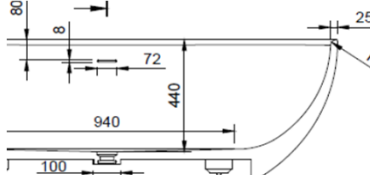

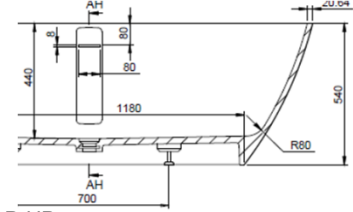

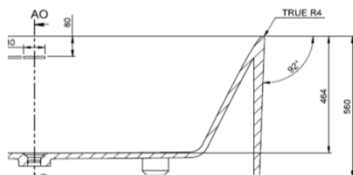
Softness, whiteness, and seamless shapes are our perspectives.

Our aim is to achieve the highest level of performance in everything we do.

Nothing is left to chance: we put the utmost care in all details starting from the production process all the way up to the excellence of finishings to assure the finest quality.

Thanks to its technical specifications the IDEAVIT Solid Surface products are ideal for use on both, residential and commercial projects.


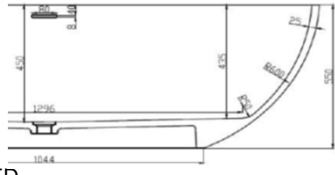

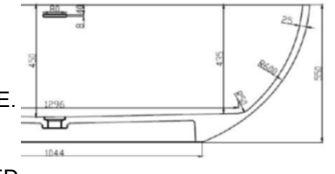

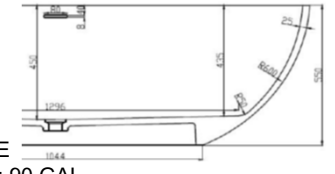

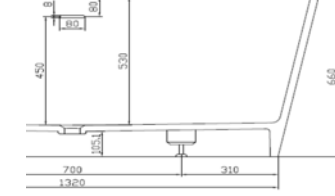

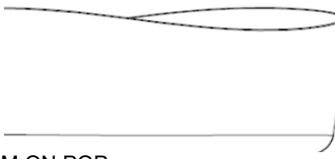

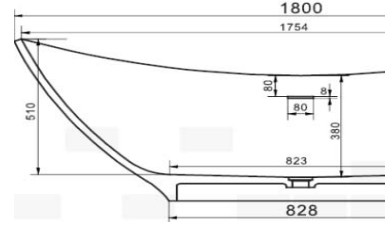


MODEL		DESCRIPTION	LIST
	SOLIDERA PS IDV 290267 2021	ELONGATED BATHTUB 59 " x 30 " x 21 " - 276 LBS MATTE WHITE, 1/4" RADIUS EDGE WATER CAP. 82 GAL TO O/FLOW. ADJUSTABLE FEET O/FLOW & MATTE WHITE TRIM ON POP-UP, DRAIN & P-TRAP INCLUDED	 \$ 7,725
	SOLIDERA GREY BEIGE & WHITE PS IDV 290267-GW NEW 2023	ELONGATED BATHTUB 59 " x 30 " x 21 " - 276 LBS MATTE WHITE INSIDE & GREY BEIGE OUTSIDE. 1/4" RADIUS EDGE. WATER CAP. 82 GAL TO O/FLOW. ADJUSTABLE FEET. O/FLOW & MATTE WHITE TRIM ON POP-UP. DRAIN & P-TRAP INCLUDED.	 \$ 8,835
	SOLIDERA-170 PS IDV 290356 NEW 2023	ELONGATED BATHTUB 67 " x 32 " x 22 " - 415 LBS MATTE WHITE, 1/4" RADIUS EDGE WATER CAP. 100 GAL TO O/FLOW. ADJUSTABLE FEET O/FLOW & MATTE WHITE TRIM ON POP-UP, DRAIN & P-TRAP INCLUDED	 \$ 8,592
	SOLIDERA-170 PEBBLE GREY & WHITE PS IDV 290356-PW NEW 2023	ELONGATED BATHTUB 67 " x 32 " x 22 " - 415 LBS MATTE WHITE INSIDE & MATTE PEBBLE GREY, 1/4" RADIUS EDGE WATER CAP. 100 GAL TO O/FLOW. ADJUSTABLE FEET O/FLOW & MATTE WHITE TRIM ON POP-UP, DRAIN & P-TRAP INCLUDED	 \$ 9,642
	SOLIDPRIME-SO PS IDV 290198 SO: SPEC ORDER, CALL FOR LEAD-TIME	RECTANGULAR BATHTUB 69 " x 35 " x 22 " - 441 LBS MATTE WHITE, 1/4" RADIUS EDGE WATER CAP. 82 GAL TO O/FLOW. ADJUSTABLE FEET O/FLOW & MATTE WHITE TRIM ON POP-UP, DRAIN & P-TRAP INCLUDED	 \$ 8,853
	SOLIDCLIFF PS IDV 290229 2019	ELONGATED BATHTUB 69 " x 35 " x 22 " - 441 LBS MATTE WHITE, 1/4" RADIUS EDGE WATER CAP. 82 GAL TO O/FLOW. ADJUSTABLE FEET O/FLOW & MATTE WHITE TRIM ON POP-UP, DRAIN & P-TRAP INCLUDED	 \$ 9,363

ORDERS ARE NOT CANCELLABLE & NOT RETURNABLE.
 PRICES ARE SUBJECT TO CHANGE WITHOUT NOTICE.
 BATHTUBS PRICE INCLUDES DRAIN & P-TRAP.
 THE PRICES ARE F.O.B. MIAMI. PACKING & SHIPPING ARE ADDITIONAL.




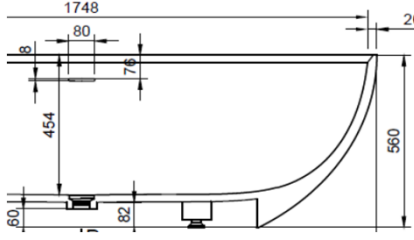

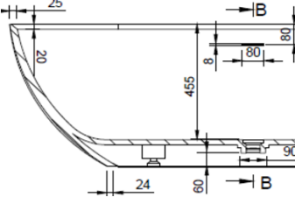

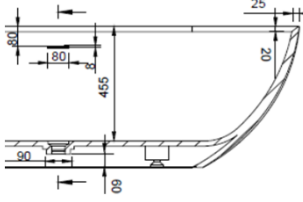

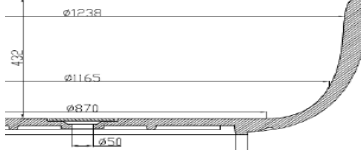

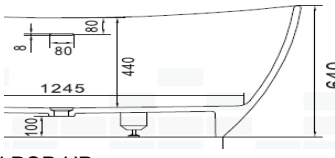

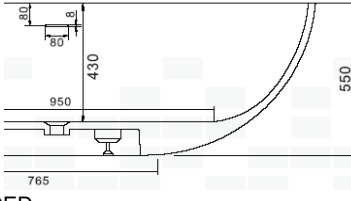
BATHTUBS

MODEL		DESCRIPTION	LIST
	<p>SOLIDELIPSE PS IDV 290032</p>	<p>ELONGATED BATHTUB 71 "x 35 "x 22 " - 315 LBS MATTE WHITE, 1-1/2" THICK EDGE. WATER CAPACITY: 90 GAL O/FLOW HOLE. MATTE WHITE TRIM ON POP-UP, DRAIN & P-TRAP INCLUDED. ADJUSTABLE FEET.</p> 	<p>\$ 9,222</p>
	<p>SOLIDELIPSE PS IDV 290190 DARK GREY 2021</p>	<p>ELONGATED BATHTUB 71 "x 35 "x 22 " - 315 LBS MATTE DARK GREY, 1-1/2" THICK EDGE. WATER CAPACITY: 90 GAL O/FLOW HOLE. MATTE WHITE TRIM ON POP-UP, DRAIN & P-TRAP INCLUDED. ADJUSTABLE FEET.</p> 	<p>\$ 9,906</p>
	<p>SOLIDELIPSE BLACK & WHITE PS IDV 290032-BW NEW 2023</p>	<p>ELONGATED BATHTUB 71 "x 35 "x 22 " - 315 LBS MATTE WHITE INSIDE, BLACK OUTSIDE 1-1/2" THICK EDGE. WATER CAPACITY: 90 GAL O/FLOW HOLE. MATTE WHITE TRIM ON POP-UP, DRAIN & P-TRAP INCLUDED. ADJUSTABLE FEET.</p> 	<p>\$ 10,119</p>
	<p>SOLIDGLAM-SO PS IDV 278607 SO: SPEC ORDER, CALL FOR LEAD-TIME</p>	<p>ELONGATED BATHTUB 62 "x 28 "x 26 " - 298 LBS MATTE WHITE, 1" THICK EDGE. WATER CAPACITY: 87 GAL. W/ ADJUSTABLE FEET. O/FLOW HOLE. MATTE WHITE TRIM ON POP-UP, DRAIN & P-TRAP INCLUDED</p> 	<p>\$ 8,121</p>
	<p>SOLIDHARMONY PS IDV 290113</p>	<p>OVALE SHAPE BATHTUB 69 "x 39 "x 26 " - 466 LBS MATTE WHITE, 1/4" THICK EDGE. WATER CAP.: 102 GAL TO O/FLOW. ADJUSTABLE FEET, MATTE WHITE TRIM ON POP- UP, O/FLOW, DRAIN & P-TRAP INCLUDED.</p> 	<p>\$ 10,527</p>
	<p>SOLIDLECTUS PS IDV 282447</p>	<p>ELONGATED BATHTUB 71 "x 39 "x 24 " - 243 LBS MATTE WHITE, 1" THICK EDGE. WATER CAPACITY: 82 GAL. O/FLOW, MATTE WHITE TRIM ON POP-UP, DRAIN & P-TRAP INCLUDED</p> 	<p>\$ 10,410</p>

ORDERS ARE NOT CANCELLABLE & NOT RETURNABLE.
PRICES ARE SUBJECT TO CHANGE WITHOUT NOTICE.
BATHTUBS PRICE INCLUDES DRAIN & P-TRAP.
THE PRICES ARE F.O.B. MIAMI. PACKING & SHIPPING ARE ADDITIONAL.


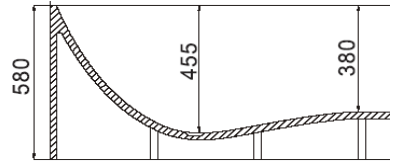

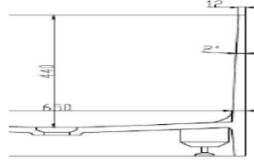

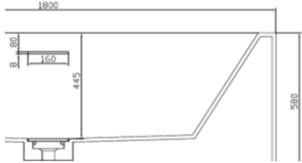

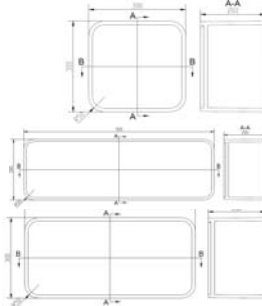


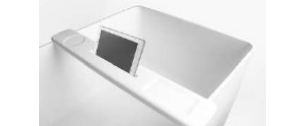
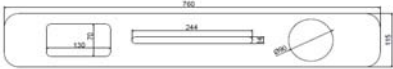


BATHTUBS

MODEL		DESCRIPTION	LIST
	<p>SOLIDNOVA PS IDV 290352</p> <p>NEW 2023</p>	<p>ELONGATED BATHTUB 71 " x 32 " x 22 " - 400 LBS</p> <p>MATTE WHITE, REAR WALL. WATER CAPACITY: 106 GAL O/FLOW HOLE. MATTE WHITE TRIM ON POP-UP, DRAIN & P-TRAP INCLUDED. W/ ADJUSTABLE FEET.</p> 	<p>\$ 9,987</p>
	<p>SOLIDNOVA-R PS IDV 290357-R</p> <p>NEW 2023</p>	<p>RIGHT CORNER ELONGATED BATHTUB 71 " x 32 " x 22 " - 400 LBS</p> <p>MATTE WHITE, RIGHT CORNER. WATER CAP: 106 GAL. O/FLOW HOLE. MATTE WHITE TRIM ON POP-UP. DRAIN & P-TRAP INCLUDED. ADJUSTABLE FEET.</p> 	<p>\$ 10,248</p>
	<p>SOLIDNOVA-L PS IDV 290360-L</p> <p>NEW 2023</p>	<p>LEFT CORNER ELONGATED BATHTUB 71 " x 32 " x 22 " - 400 LBS</p> <p>MATTE WHITE, LEFT CORNER. WATER CAPACITY: 106 GAL. W/ ADJUSTABLE FEET. O/FLOW HOLE. MATTE WHITE TRIM ON POP-UP, DRAIN & P-TRAP INCLUDED</p> 	<p>\$ 10,248</p>
	<p>SOLIDROUND PS IDV 278613</p>	<p>ROUND BATHTUB 53 " x 53 " x 19 " - 441 LBS</p> <p>MATTE WHITE, 1-1/2" THICK EDGE. WATER CAPACITY: 105 GAL O/FLOW HOLE. MATTE WHITE TRIM ON POP-UP, DRAIN & P-TRAP INCLUDED. W/ ADJUSTABLE FEET.</p> 	<p>\$ 11,694</p>
	<p>SOLIDSEAL PS IDV 278614</p>	<p>ELONGATED BATHTUB 64 " x 33 " x 25 " - 331 LBS</p> <p>MATTE WHITE, 1" THICK EDGE WATER CAPACITY: 76 GAL O/FLOW HOLE. MATTE WHITE TRIM ON POP-UP. DRAIN & P-TRAP INCLUDED. ADJUSTABLE FEET</p> 	<p>\$ 7,950</p>
	<p>SOLIDSURF PS IDV 278606</p>	<p>ELONGATED BATHTUB 67 " x 35 " x 22 " - 364 LBS</p> <p>MATTE WHITE, 1" THICK EDGE. WATER CAPACITY: 79 GAL. W/ ADJUSTABLE FEET. O/FLOW HOLE. MATTE WHITE TRIM ON POP-UP, DRAIN & P-TRAP INCLUDED</p> 	<p>\$ 7,950</p>

ORDERS ARE NOT CANCELLABLE & NOT RETURNABLE.
 PRICES ARE SUBJECT TO CHANGE WITHOUT NOTICE.
 BATHTUBS PRICE INCLUDES DRAIN & P-TRAP.
 THE PRICES ARE F.O.B. MIAMI. PACKING & SHIPPING ARE ADDITIONAL.



MODEL	DESCRIPTION	LIST
 <p>SOLIDSTAR PS IDV 278922 PS IDV 278612</p>	<p>RECTANGULAR BATHTUB 67 " x 28 " x 22 " - 320 LBS 71 " x 30 " x 23 " - 331 LBS MATTE WHITE, 3/4" EDGE THICK. WATER CAPACITY: 76 GAL / 82 GAL O/FLOW HOLE. MATTE WHITE TRIM ON POP-UP, DRAIN & P-TRAP INCLUDED. W/ ADJUSTABLE FEET.</p> 	<p>\$ 8,793 \$ 8,847</p>
 <p>SOLIDTHIN-SO PS IDV 290033 <i>SO: SPEC ORDER, CALL FOR LEAD-TIME</i></p>	<p>RECTANGULAR BATHTUB 63 " x 28 " x 22 " - 278 LBS MATTE WHITE, 1/2" THICK EDGE. WATER CAP. 103 GAL. O/FLOW & MATTE WHITE TRIM ON POP-UP. P-TRAP INCLUDED. W/ ADJUSTABLE FEET.</p> 	<p>\$ 8,322</p>
 <p>SOLIDVITAS PS IDV 277808</p>	<p>RECTANGULAR BATHTUB 71 " x 31 " x 23 " - 430 LBS MATTE WHITE, 2-3/4" THICK EDGE WATER CAP.: 76 GAL. O/FLOW HOLE. MATTE WHITE TRIM ON POP-UP DRAIN & P-TRAP INCLUDED. ADJUSTABLE FEET.</p> 	<p>\$10,344</p>
ADD-ON - SHELVES / STOOL / TABLET		
 <p>SOLIDTONDO PS IDV 284231 PS IDV 284230 PS IDV 284229</p>	<p>SHELVES: 12", 24", 36" WIDE 12 " x 12 " x 8 " - 10 LBS 24 " x 12 " x 8 " - 20 LBS 36 " x 12 " x 8 " - 30 LBS 24 & 36" SHELVES ARE REVERSIBLE SOLID SURFACE. MATTE WHITE. WALL FIXING SET INCLUDED.</p> 	<p>\$ 760 \$ 1,367 \$ 1,730</p>
 <p>SOLIDTONDO PS IDV 284232</p>	<p>STOOL 16 " x 12 " x 17 " - 16 LBS SOLID SURFACE. MATTE WHITE.</p> 	<p>\$ 1,347</p>
 <p>SOLIDFELIX PS IDV 290100</p>	<p>TABLET HOLDER FOR BATHTUB 31 " x 5 " x 1 " - 5 LBS SOLID SURFACE. MATTE WHITE.</p> 	<p>\$ 705</p>

ORDERS ARE NOT CANCELLABLE & NOT RETURNABLE.
PRICES ARE SUBJECT TO CHANGE WITHOUT NOTICE.
BATHTUBS PRICE INCLUDES DRAIN & P-TRAP.
THE PRICES ARE F.O.B. MIAMI. PACKING & SHIPPING ARE ADDITIONAL.