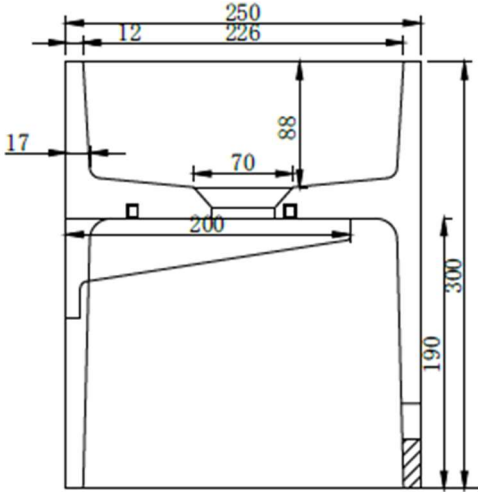
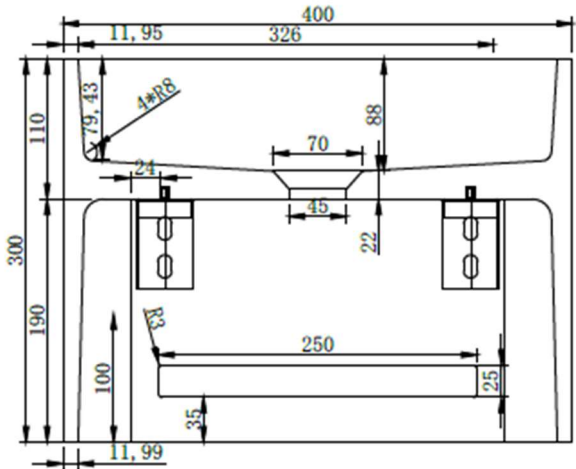
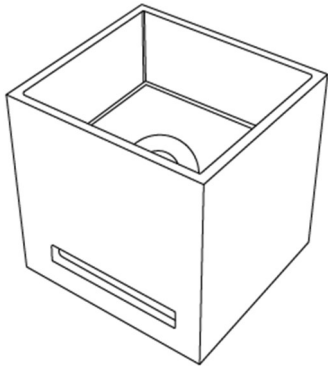
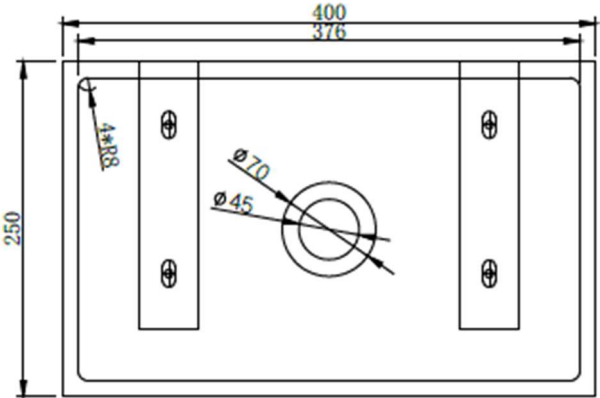




SOLIDWALL PS IDE 290335-B1

CONCRETE WALL MOUNTED WASHBASIN



SOLIDWALL PS IDE 290335-B1

WALL MOUNTED WASHBASIN
GREY COLORED CONCRETE

16 " x 10 " x 12 " - 33 LBS

GRID DRAIN W. CONCRETE COVER INCLUDED.
ANTI-SCRATCH FINISH.

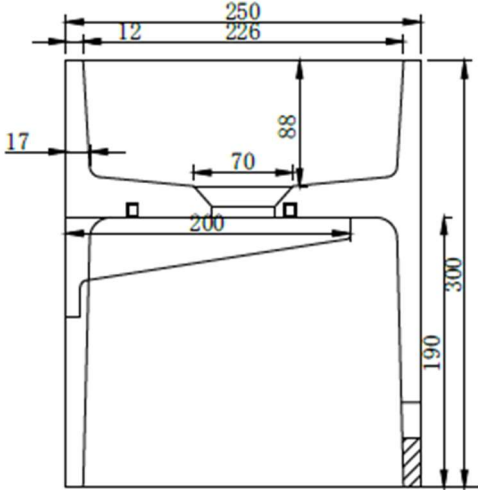
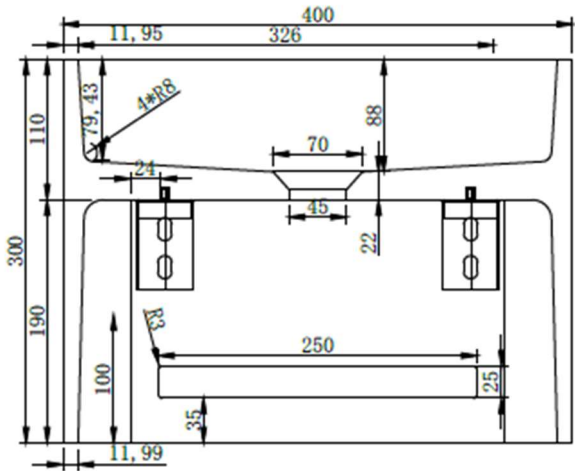
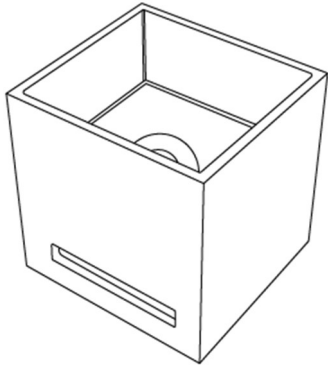
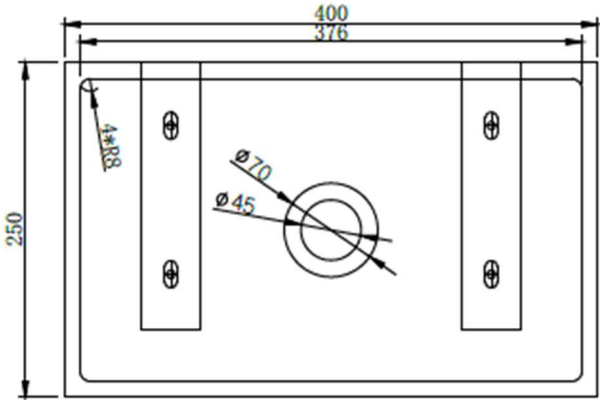


Project Information		
Job Name: _____	Date: _____	Type of hardware: _____
Comments: _____		
Approved: _____		



SOLIDWALL PS IDE 290335-D5

CONCRETE WALL MOUNTED WASHBASIN



SOLIDWALL PS IDE 290335-D5

WALL MOUNTED WASHBASIN
TAUPE COLORED CONCRETE

16 " x 10 " x 12 " - 33 LBS

GRID DRAIN W. CONCRETE COVER INCLUDED.
ANTI-SCRATCH FINISH.

Project Information

Job Name: _____ Date: _____ Type of hardware: _____

Comments: _____

Approved: _____