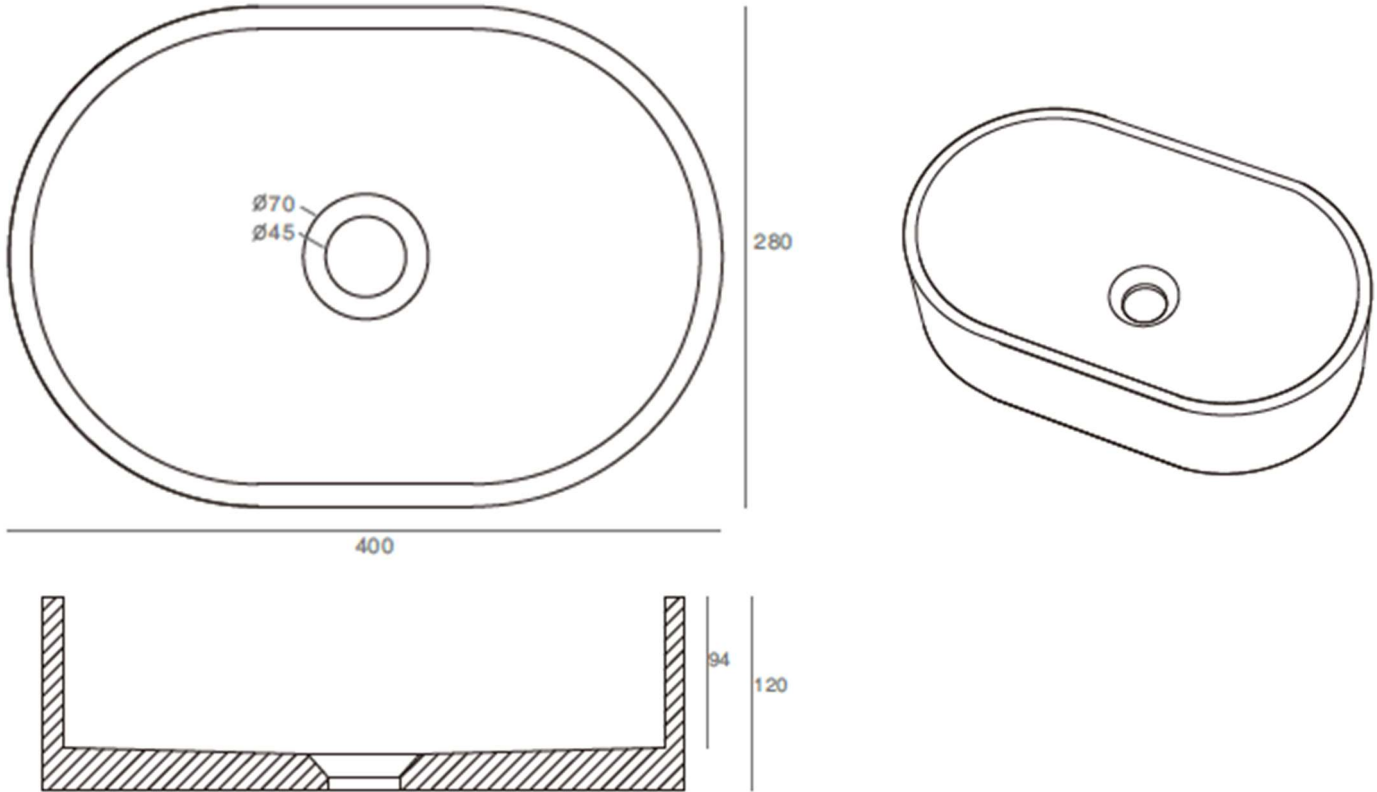




SOLIDROCK PS IDE 290291-E2

TERRAZZO OVAL WASHBASIN



SOLIDROCK PS IDE 290291-E2

OVAL WASHBASIN
BLACK TERRAZZO

16 " x 11 " x 5 " - 16 LBS

GRID DRAIN W. TERRAZZO COVER INCLUDED.
ANTI-SCRATCH FINISH.



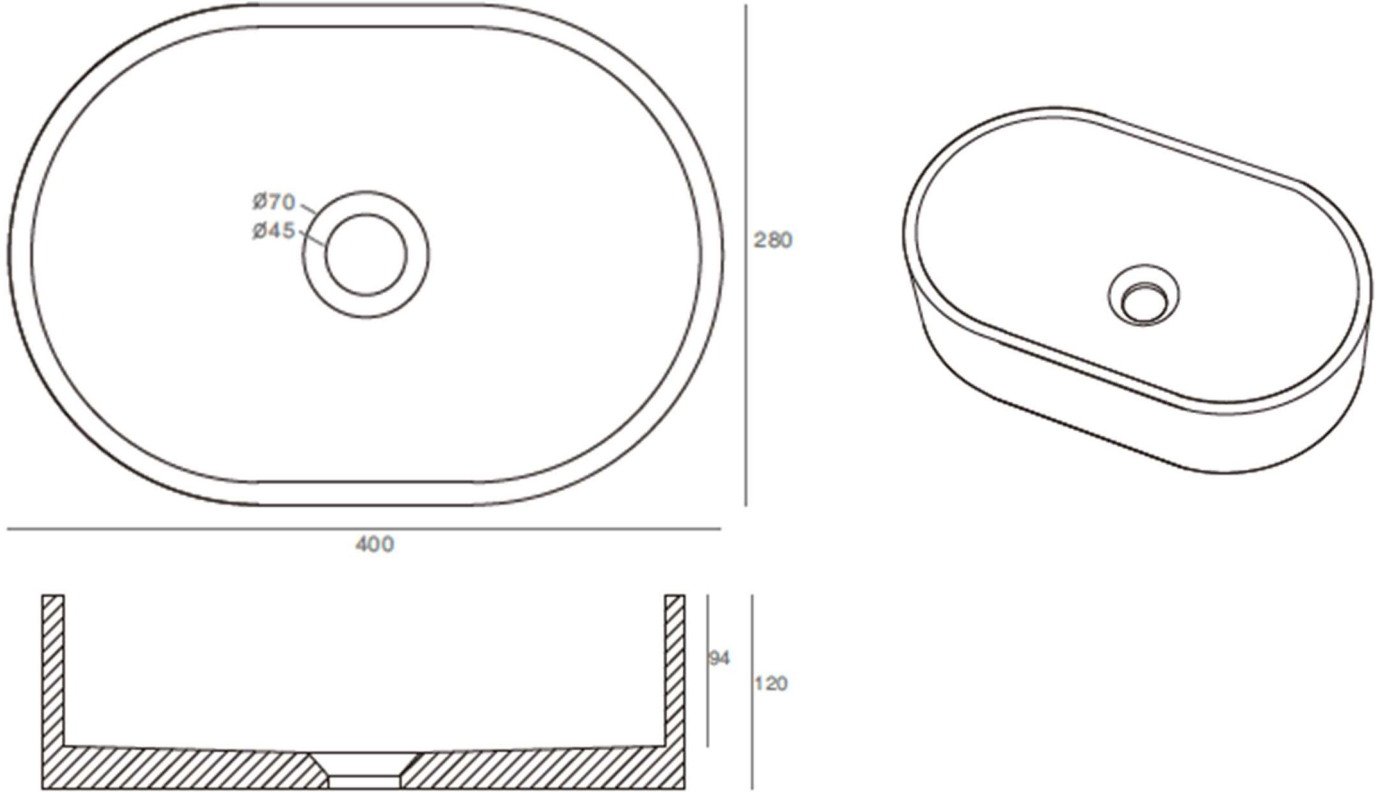
Project Information		
Job Name: _____	Date: _____	Type of hardware: _____
Comments: _____		
Approved: _____		



SOLIDROCK PS IDE 290291-E5



TERRAZZO OVAL WASHBASIN



SOLIDROCK PS IDE 290291-E5

OVAL WASHBASIN
CREAM TERRAZZO

16 " x 11 " x 5 " - 16 LBS

GRID DRAIN W. TERRAZZO COVER INCLUDED.
ANTI-SCRATCH FINISH.



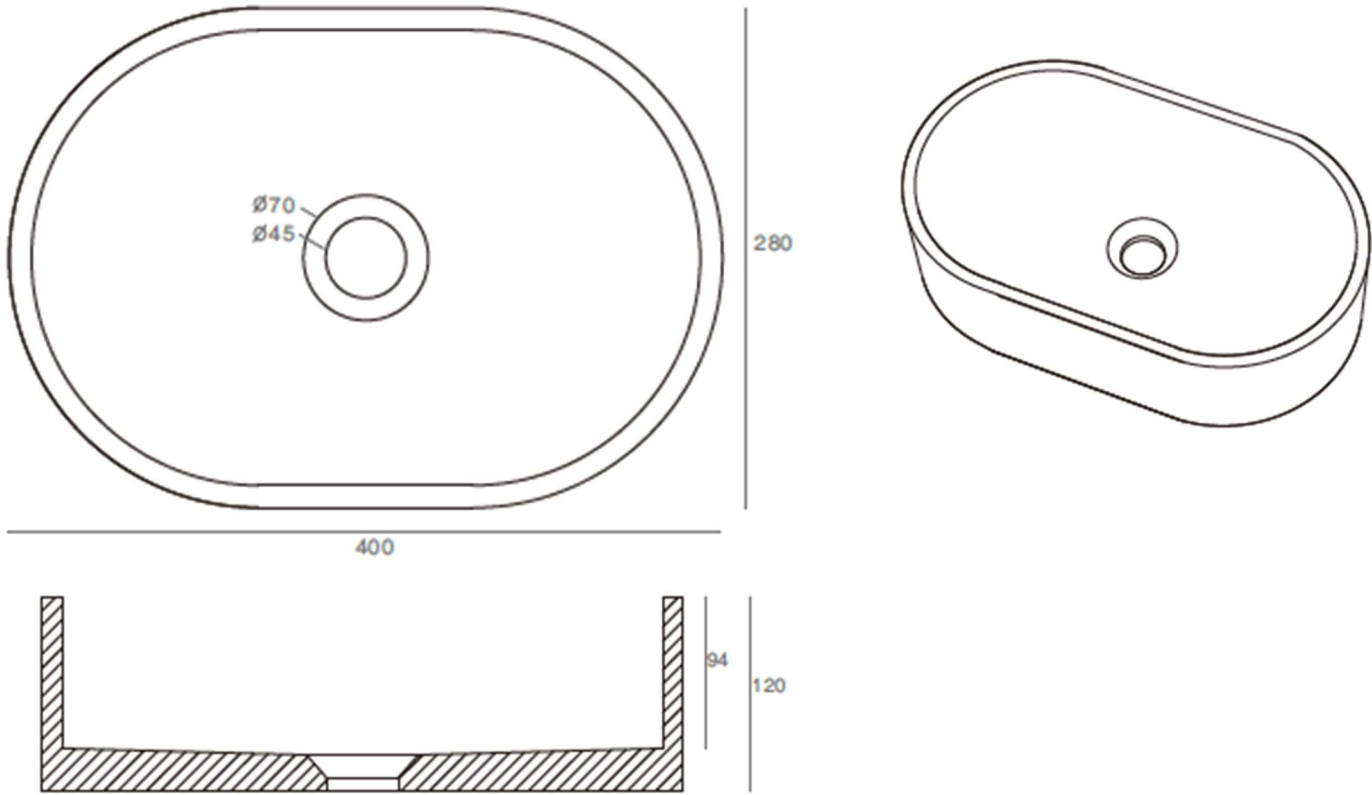
Project Information
 Job Name: _____ Date: _____ Type of hardware: _____
 Comments: _____
 Approved: _____



SOLIDROCK PS IDE 290291-D1



CONCRETE OVAL WASHBASIN



SOLIDROCK PS IDE 290291-D1 OVAL WASHBASIN
BEIGE COLORED CONCRETE

16 " x 11 " x 5 " - 16 LBS

GRID DRAIN W. CONCRETE COVER INCLUDED.
ANTI-SCRATCH FINISH.



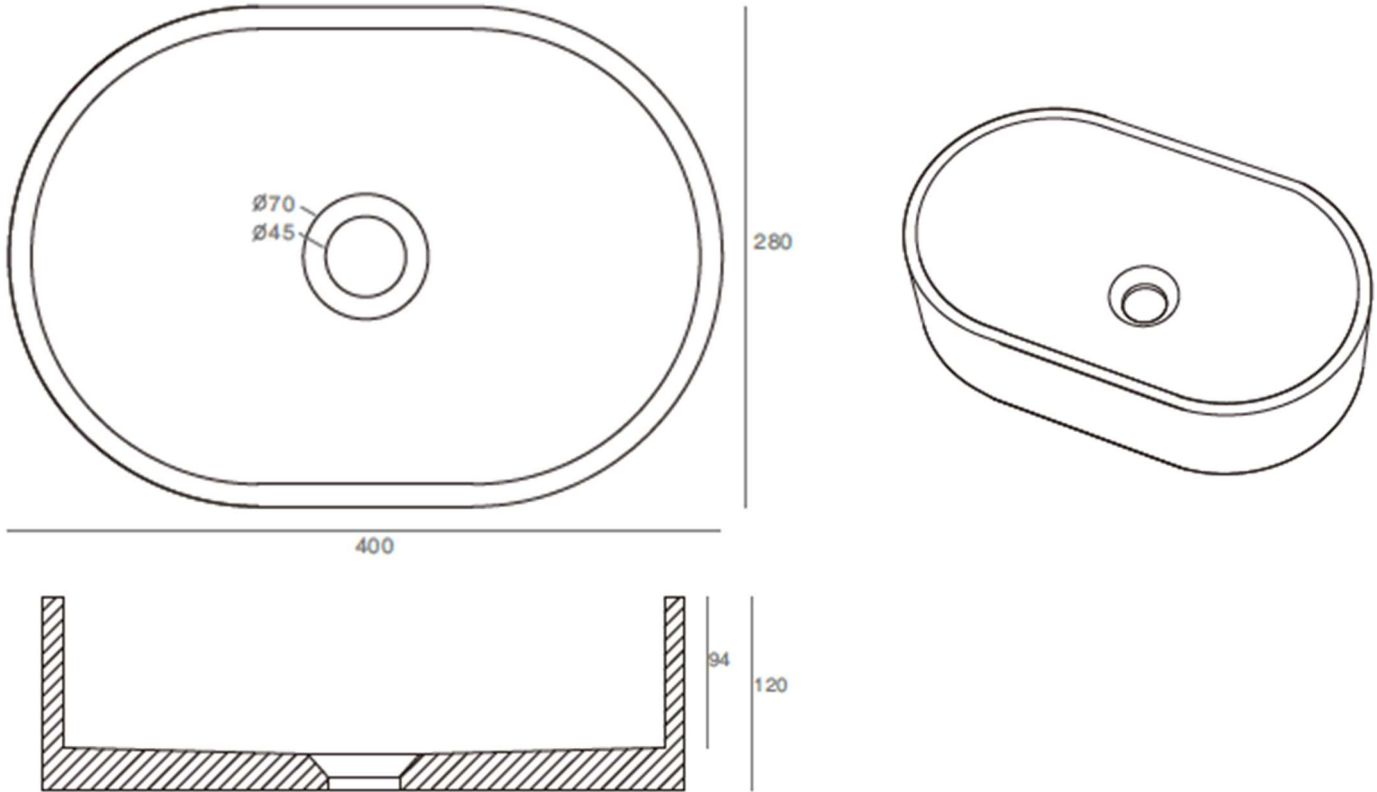
Project Information		
Job Name: _____	Date: _____	Type of hardware: _____
Comments: _____		
Approved: _____		



SOLIDROCK PS IDE 290291-B1



CONCRETE OVAL WASHBASIN



SOLIDROCK PS IDE 290291-B1

OVAL WASHBASIN
GREY COLORED CONCRETE

16 " x 11 " x 5 " - 16 LBS

GRID DRAIN W. CONCRETE COVER INCLUDED.
ANTI-SCRATCH FINISH.



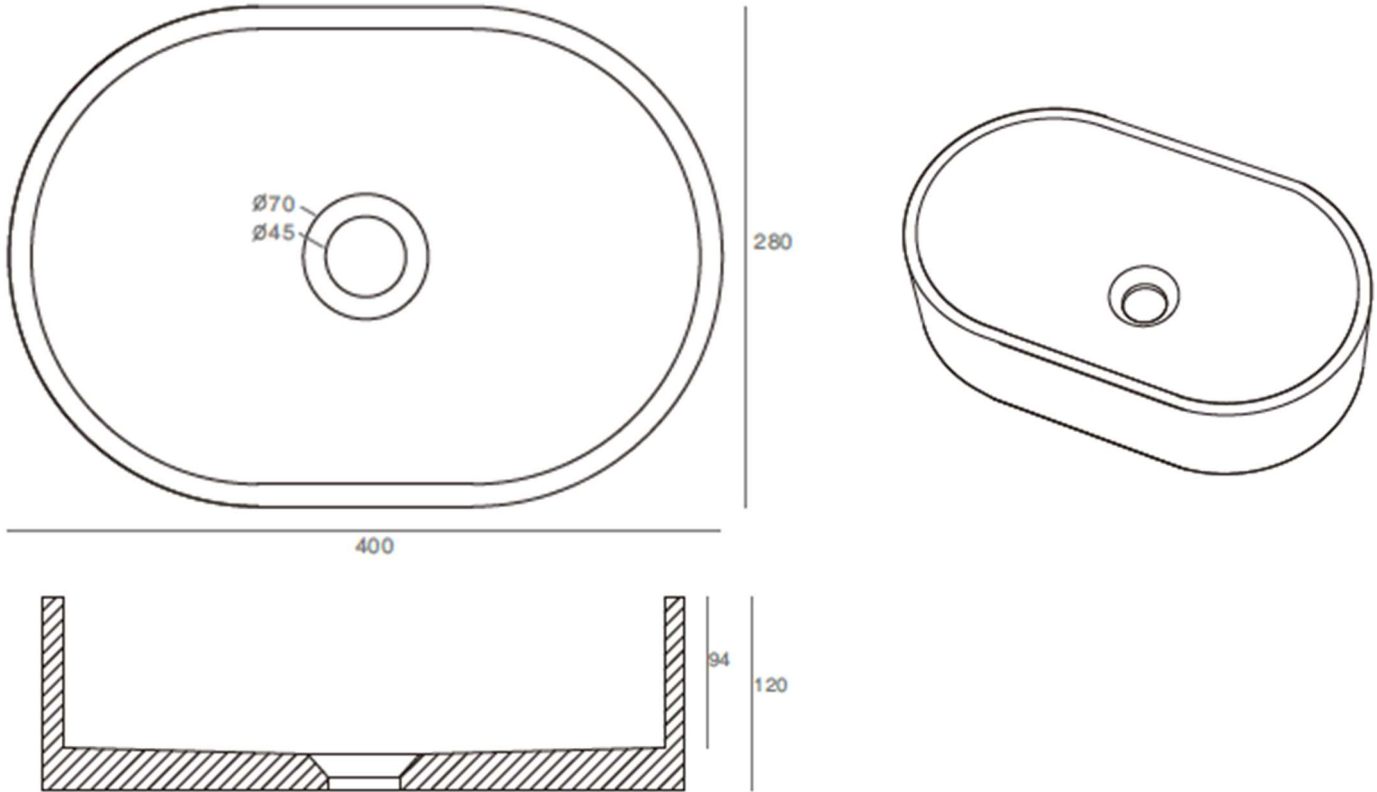
Project Information		
Job Name: _____	Date: _____	Type of hardware: _____
Comments: _____		
Approved: _____		



SOLIDROCK PS IDE 290291-D2



CONCRETE OVAL WASHBASIN



SOLIDROCK PS IDE 290291-D2 OVAL WASHBASIN
 DARK GREY COLORED CONCRETE
 16 " x 11 " x 5 " - 16 LBS
 GRID DRAIN W. CONCRETE COVER INCLUDED.
 ANTI-SCRATCH FINISH.



Project Information		
Job Name: _____	Date: _____	Type of hardware: _____
Comments: _____		
Approved: _____		