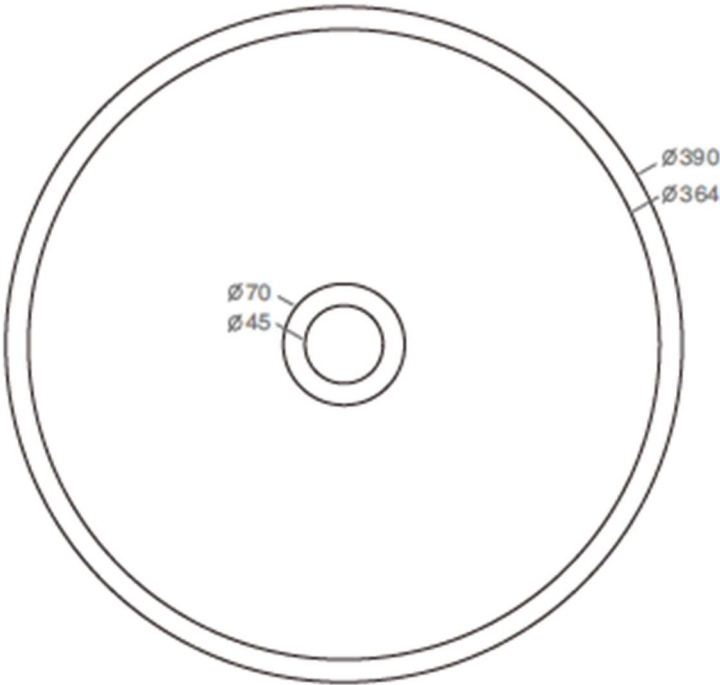




SOLIDORA PS IDE 290296-E5

TERRAZZO ROUND WASHBASIN



SOLIDORA PS IDE 290296-E5

ROUND WASHBASIN
CREAM TERRAZZO

15 " x 15 " x 5 " - 19 LBS

GRID DRAIN W. TERRAZZO COVER INCLUDED.
ANTI-SCRATCH FINISH.

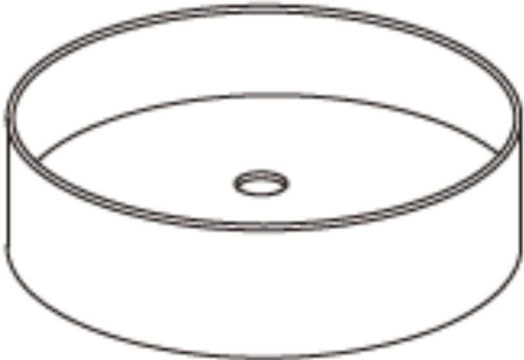
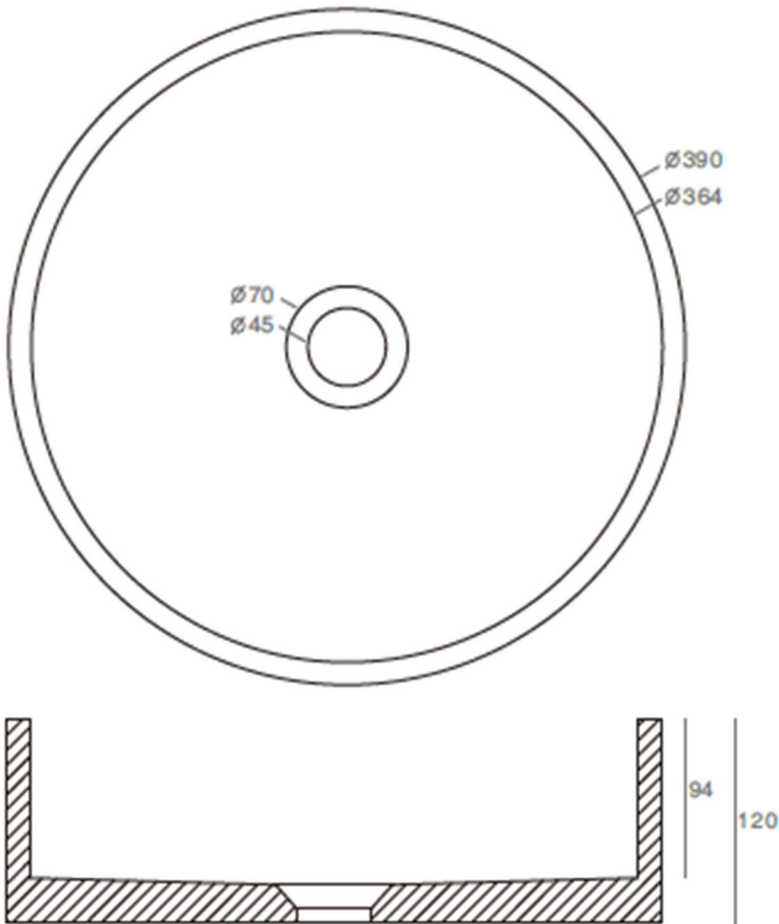


Project Information		
Job Name: _____	Date: _____	Type of hardware: _____
Comments: _____		
Approved: _____		



SOLIDORA PS IDE 290296-E10

TERRAZZO ROUND WASHBASIN



SOLIDORA PS IDE 290296-E10

ROUND WASHBASIN
GREY TERRAZZO

15 " x 15 " x 5 " - 19 LBS

GRID DRAIN W. TERRAZZO COVER INCLUDED.
ANTI-SCRATCH FINISH.

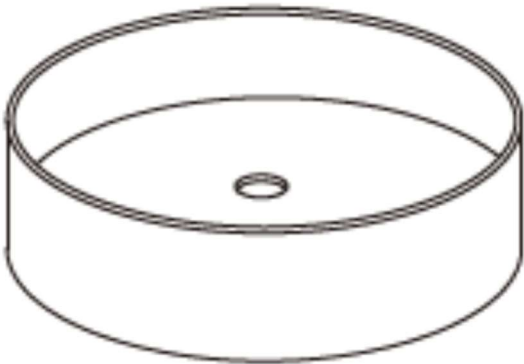
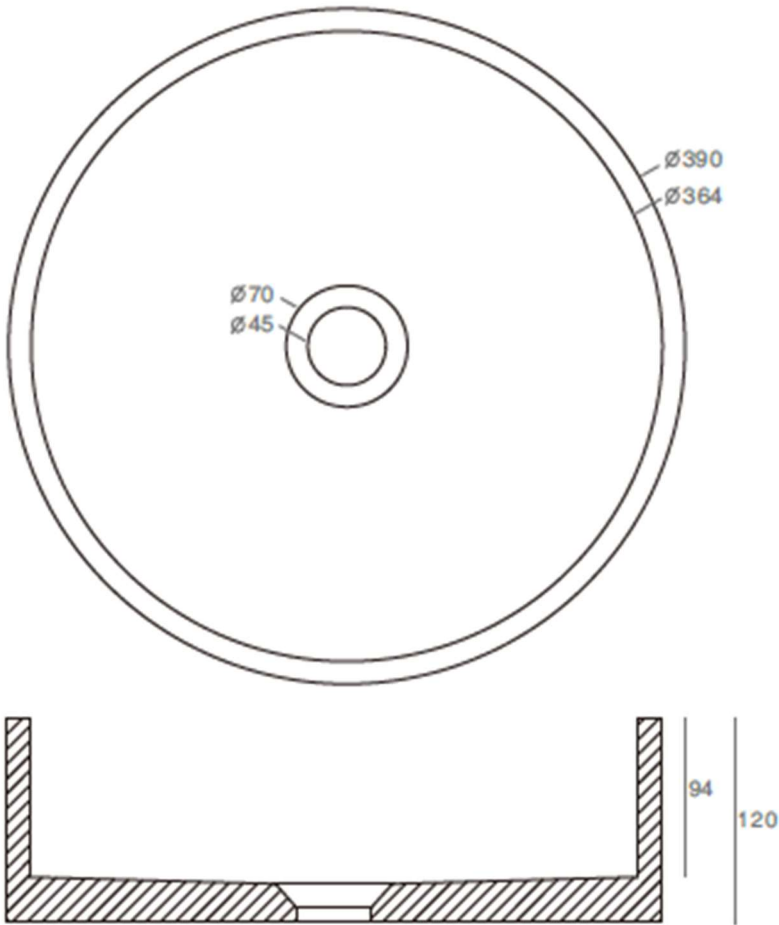


Project Information
 Job Name: _____ Date: _____ Type of hardware: _____
 Comments: _____
 Approved: _____



SOLIDORA PS IDE 290296-D1

CONCRETE ROUND WASHBASIN



SOLIDORA PS IDE 290296-D1

ROUND WASHBASIN
BEIGE COLORED CONCRETE

15 " x 15 " x 5 " - 19 LBS

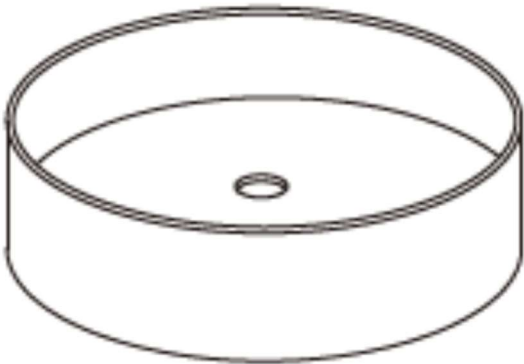
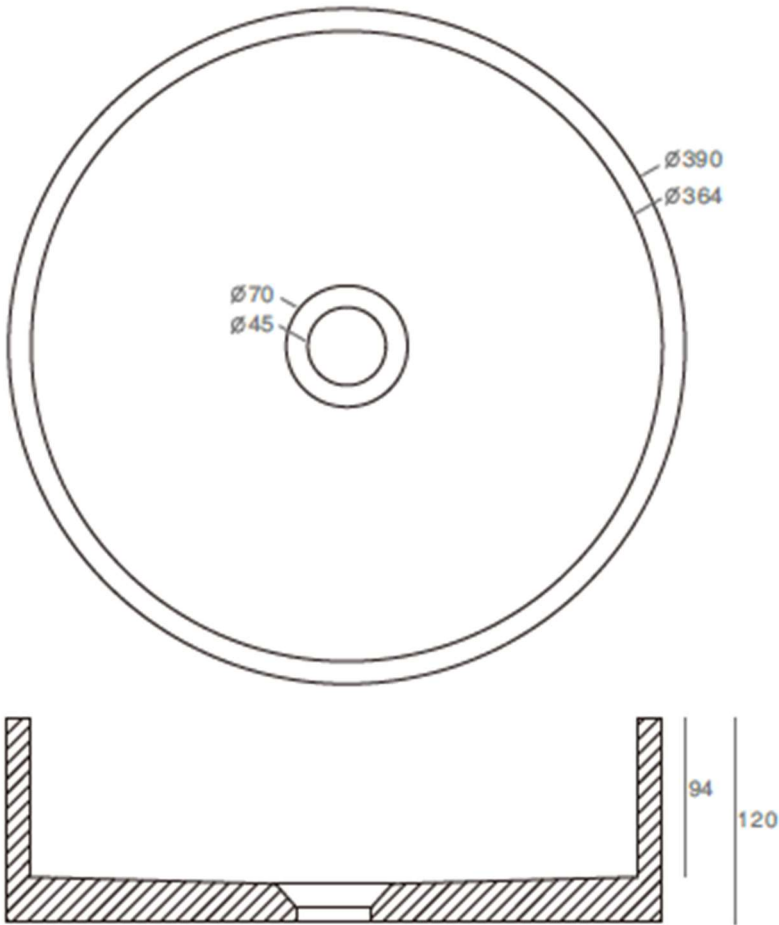
GRID DRAIN W. CONCRETE COVER INCLUDED.
ANTI-SCRATCH FINISH.

Project Information		
Job Name: _____	Date: _____	Type of hardware: _____
Comments: _____		
Approved: _____		



SOLIDORA PS IDE 290296-B1

CONCRETE ROUND WASHBASIN



SOLIDORA PS IDE 290296-B1

ROUND WASHBASIN
GREY COLORED CONCRETE

15 " x 15 " x 5 " - 19 LBS

GRID DRAIN W. CONCRETE COVER INCLUDED.
ANTI-SCRATCH FINISH.



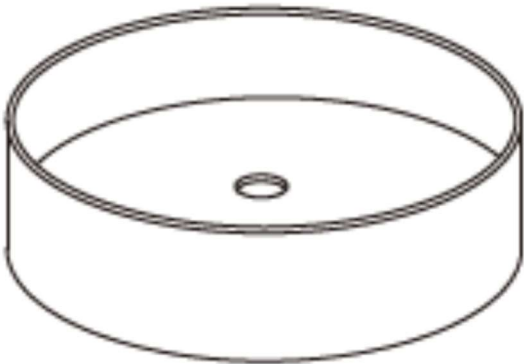
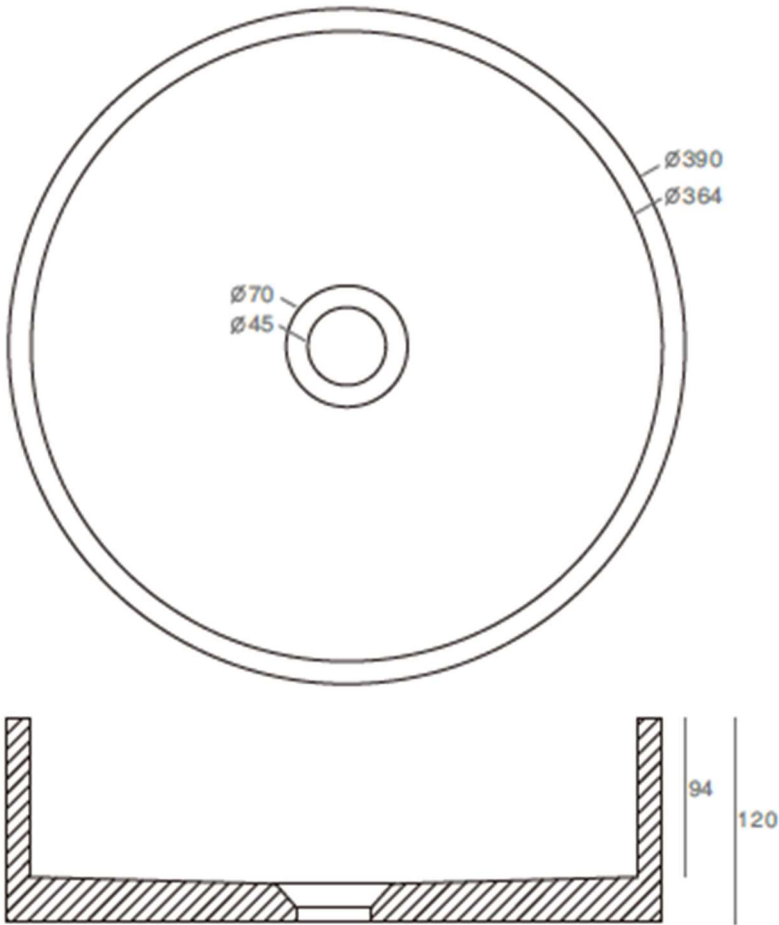
Project Information
 Job Name: _____ Date: _____ Type of hardware: _____
 Comments: _____
 Approved: _____



SOLIDORA PS IDE 290296-D2



CONCRETE ROUND WASHBASIN



SOLIDORA PS IDE 290296-D2

ROUND WASHBASIN
DARK GREY COLORED CONCRETE

15 " x 15 " x 5 " - 19 LBS

GRID DRAIN W. CONCRETE COVER INCLUDED.
ANTI-SCRATCH FINISH.



Project Information		
Job Name: _____	Date: _____	Type of hardware: _____
Comments: _____		
Approved: _____		