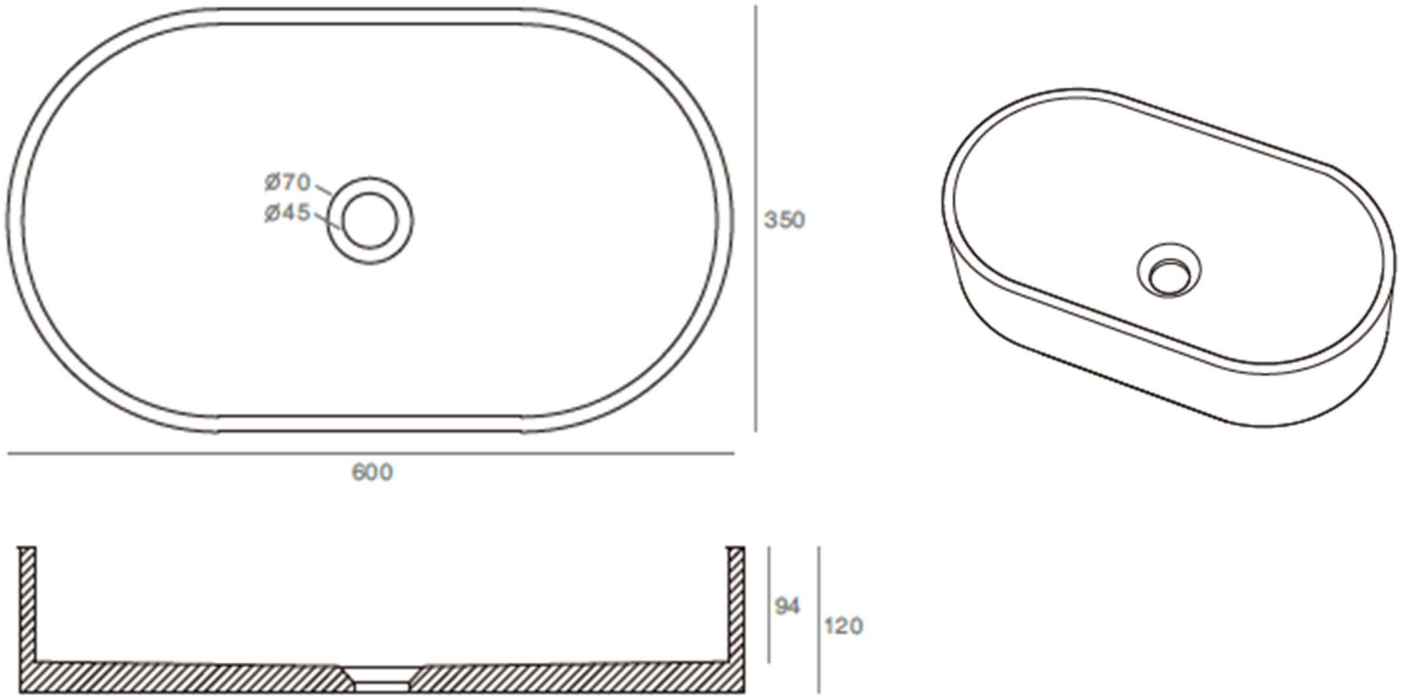




SOLIDFORM PS IDE 290292-D1



CONCRETE OVAL WASHBASIN



SOLIDFORM PS IDE 290292-D1 OVAL WASHBASIN
BEIGE COLORED CONCRETE

24 " x 14 " x 5 " - 28 LBS

GRID DRAIN W. CONCRETE COVER INCLUDED.
ANTI-SCRATCH FINISH.



Project Information

Job Name: _____ Date: _____ Type of hardware: _____

Comments: _____

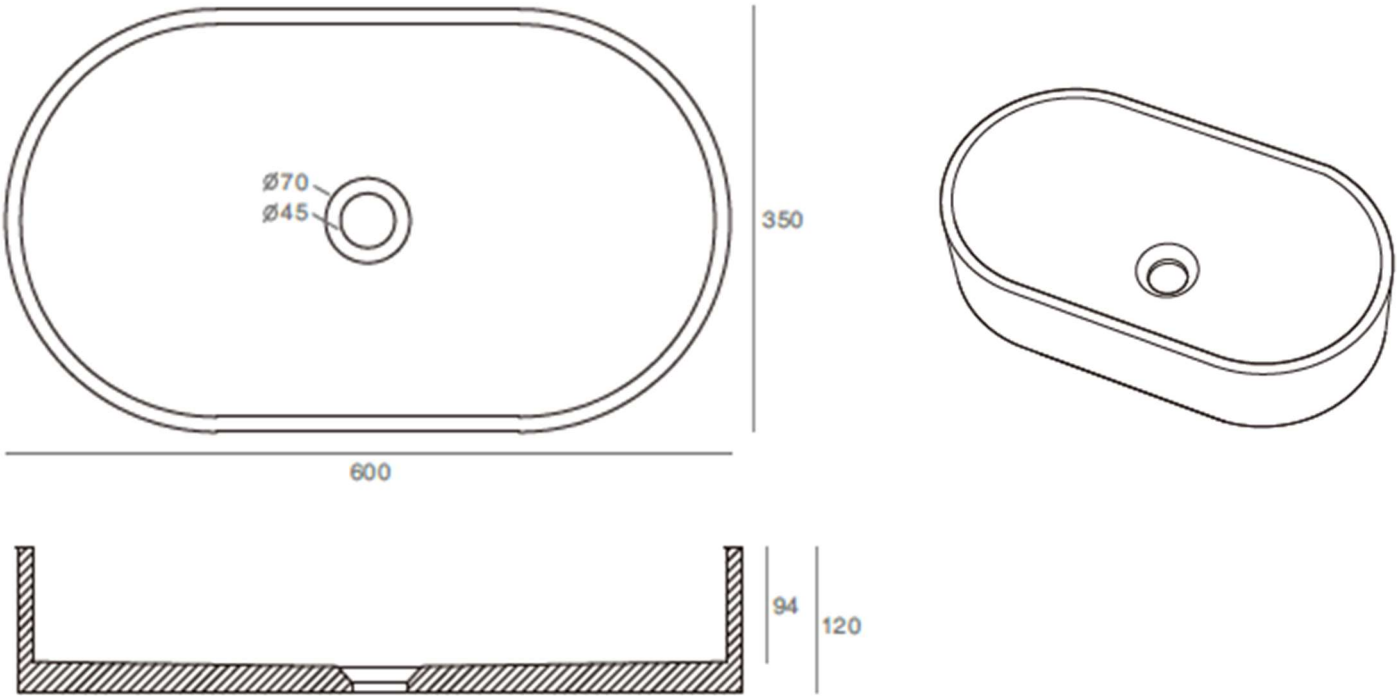
Approved: _____



SOLIDFORM PS IDE 290292-B1



CONCRETE OVAL WASHBASIN



SOLIDFORM PS IDE 290292-B1 OVAL WASHBASIN
 GREY COLORED CONCRETE
 24 " x 14 " x 5 " - 28 LBS

GRID DRAIN W. CONCRETE COVER INCLUDED.
 ANTI-SCRATCH FINISH.



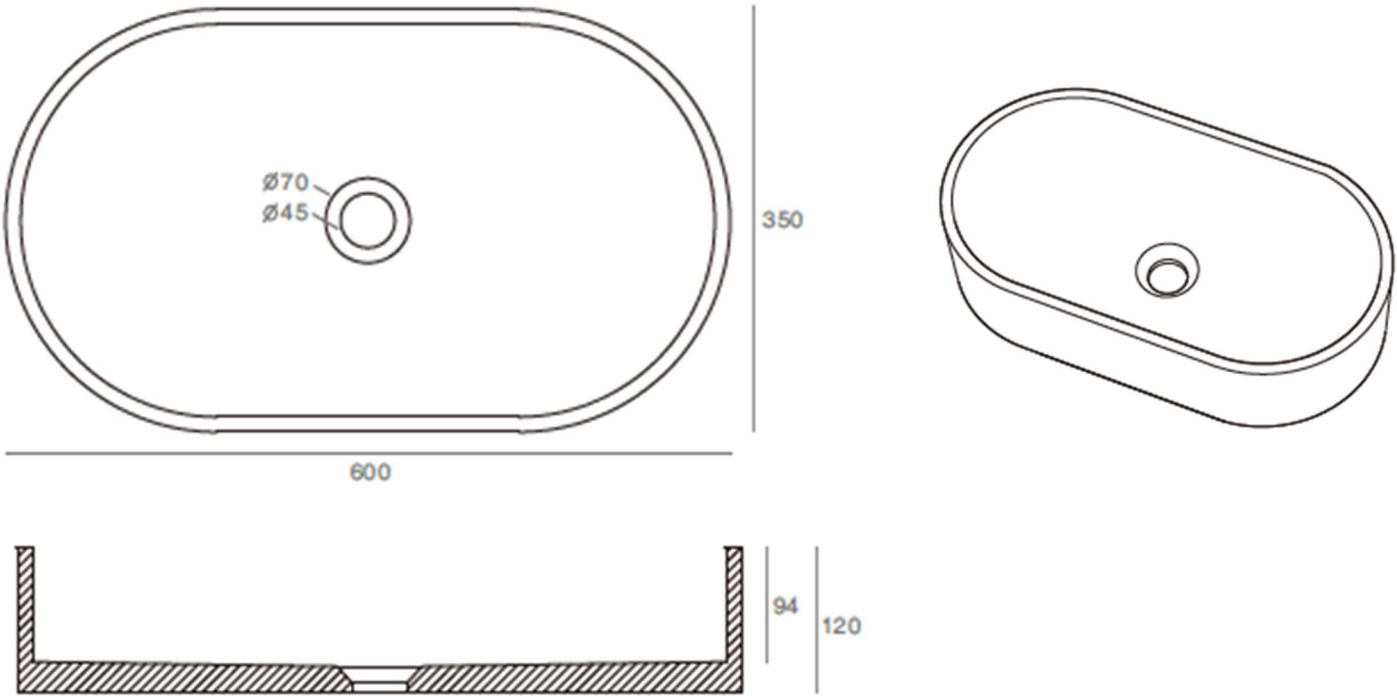
Project Information		
Job Name: _____	Date: _____	Type of hardware: _____
Comments: _____		
Approved: _____		



SOLIDFORM PS IDE 290292-D2



CONCRETE OVAL WASHBASIN



SOLIDFORM PS IDE 290292-D2 OVAL WASHBASIN
 DARK GREY COLORED CONCRETE
 24 " x 14 " x 5 " - 28 LBS
 GRID DRAIN W. CONCRETE COVER INCLUDED.
 ANTI-SCRATCH FINISH.



Project Information		
Job Name: _____	Date: _____	Type of hardware: _____
Comments: _____		
Approved: _____		