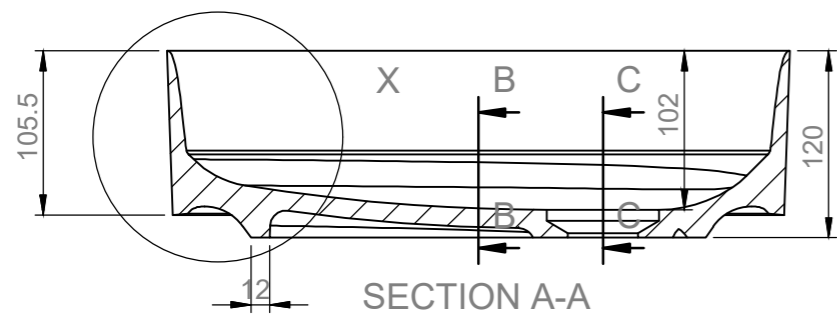
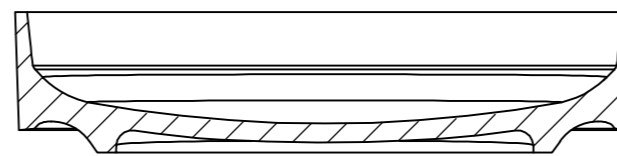


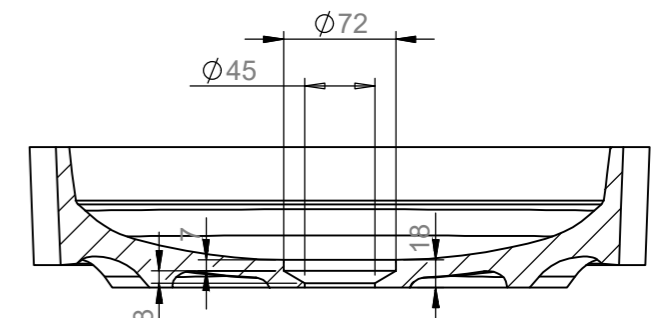
DETAIL X
SCALE 1 : 1



SECTION A-A



SECTION B-B



SECTION C-C

PROJECT TITLE
SOLIDFLOAT D40

ARTICLE NO.
290278

DIMENSIONS (MILLIMETER)
D400 X 120

DATE
2 AUG 2019

TOLERANCE (MILLIMETER)
± 3

WEIGHT (KILOGRAMS)
-

SCALE : 1:2

PAPER SIZE
A3

REV.
A-01