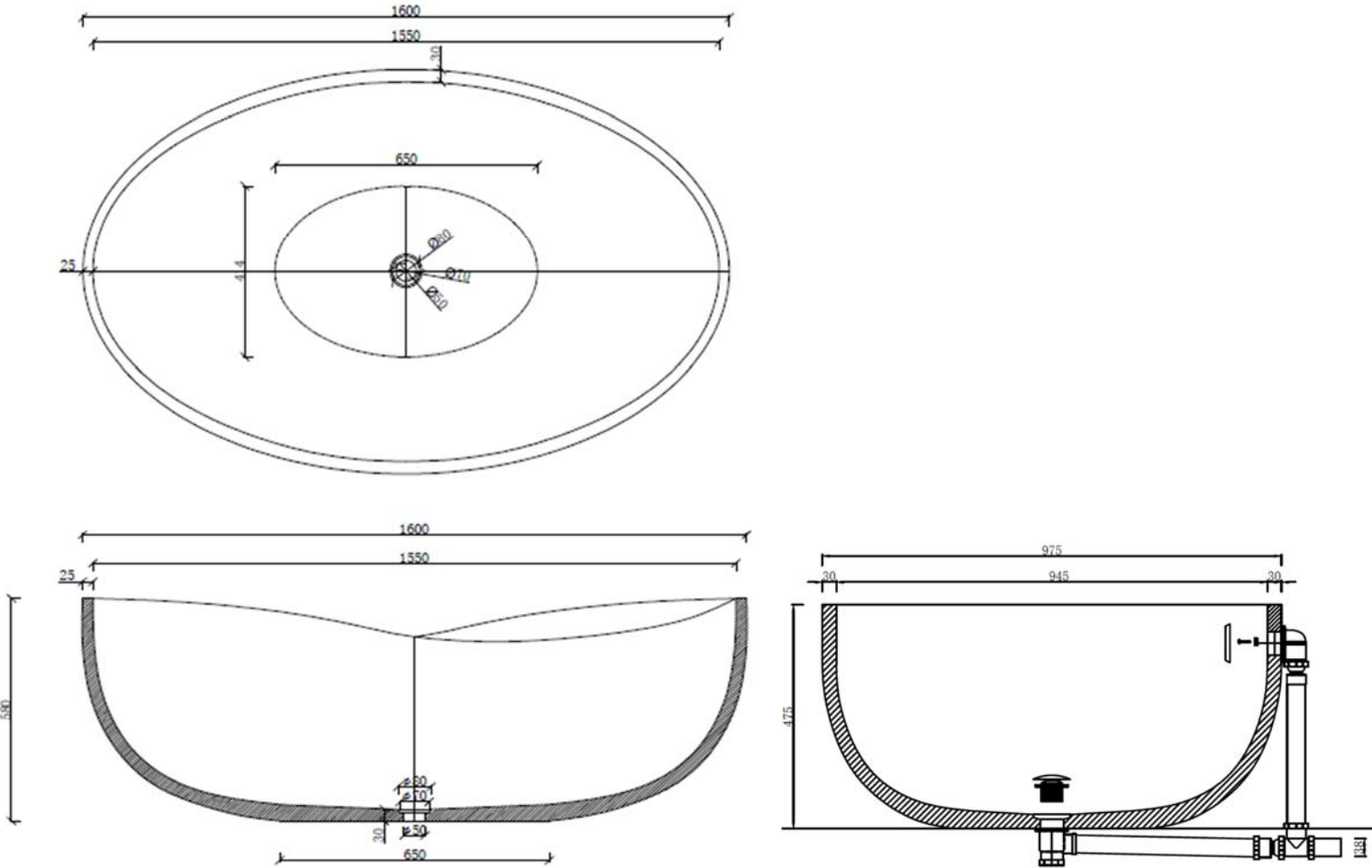




SOLIDSENSE PS IDV 290337-D5

CONCRETE OVAL BATHTUB



SOLIDSENSE BATHTUB PS IDV 290337-D5
 TAUPE COLORED CONCRETE WITH ANTI-SCRATCH FINISH.
 63"x 38-3/8"x 22-7/8" - 1" THICK EDGE / 160x 97.5x 58cm
 WEIGHT 397 LBS / 180 KGS - WATER CAPACITY 90 G. / 342 L
 CLIC CLAC DRAIN & WASTE LINE INCLUDED.
 OVERFLOW W. TRIM POL. CHROME.



Project Information		
Job Name: _____	Date: _____	Type of hardware: _____
Comments: _____		
Approved: _____		